

# FAUCETS

## STANDARD BODY

Designed for easy installation and to dispense a wide variety of beer styles.

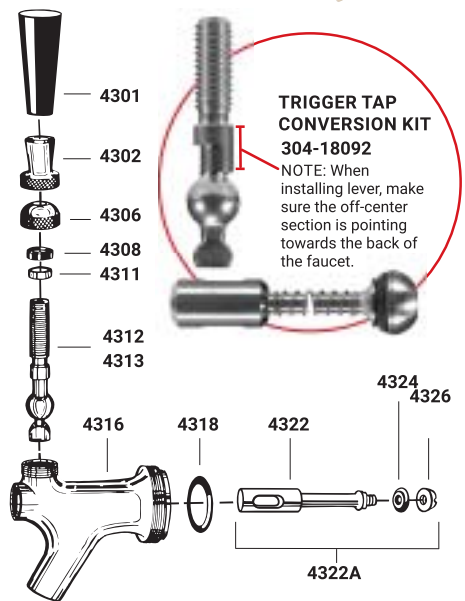
PART NO.	MATERIAL	FINISH	DESCRIPTION
4933SS	304 stainless steel	Polished	With stainless steel lever
4933GSS	304 stainless steel	PVD brass	With stainless steel lever
4933K	Brass	Chrome	With brass lever
4933	Brass	Chrome	With stainless steel lever
4933KSC	Brass	Chrome	Self-closing
4933KBR	Brass	Polished brass	With brass lever
4933BR	Brass	Polished brass	With stainless steel lever



## REPLACEMENT PARTS

PART NO.	DESCRIPTION
4301	Black knob
4302	Lever collar
4306	Lever bonnet
4308	Friction washer
4311	Ball washer
4312	Brass lever
4313	Stainless lever
4316	Chrome body
4318	Coupling washer
4322	Shaft
4322A	Shaft assembly chrome
4322A-304	Shaft assembly 304 stainless steel
4322A-304CR	Creamer shaft assembly 304 stainless steel
304-18092	Trigger Tap™ shaft & lever kit
4324	Shaft seat
4326	Shaft nut
4326-304	Shaft nut 304 stainless steel

NOTE: Add BR to the end of part number for brass finish, except for UT- part numbers.



4933 FAUCET PARTS SCHEMATIC

# FAUCET LOCKS

PART NO.	DESCRIPTION
23-41-304	Fits 304 body
304-FL	Fits 304 body and standard U.S. body
23-41	Fits standard U.S. body



# FLEXIDRAFT™ HOSE ASSEMBLY

Includes the probe, beer line and faucet spout assembly.

PART NO.	DESCRIPTION	COLOR CODE
FD-H-D	FlexiDraft™ hose assembly – D System	Green
FD-H-S	FlexiDraft™ hose assembly – S System	Blue
FD-H-AG	FlexiDraft™ hose assembly – A and G Systems	Red
FD-H-U	FlexiDraft™ hose assembly – U System	Black

